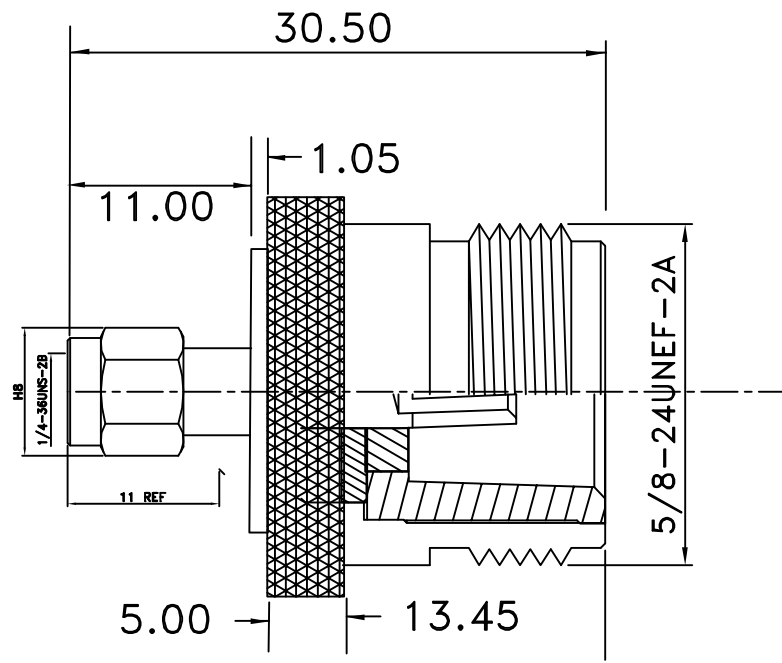


| REV | DESCRIPTION | DRAWN | DATE |
|-----|-------------|-------|------|
|     |             |       |      |
|     |             |       |      |



|    |                |      |           |        |
|----|----------------|------|-----------|--------|
| 10 | Gasket         | 1    | Si-rubber | Orange |
| 9  | Retaining ring | 1    | Brass     | Nickel |
| 8  | Shell          | 1    | Brass     | Nickel |
| 7  | Ground ring    | 1    | Brass     | Nickel |
| 6  | Sleeve         | 1    | Brass     | Nickel |
| 5  | Dielectric     | 2    | Teflon    | None   |
| 4  | Pin            | 1    | Brass     | Gold   |
| 3  | Pin            | 1    | Brass     | Gold   |
| 2  | Body           | 1    | Brass     | Nickel |
| 1  | Body           | 1    | Brass     | Nickel |
| NO | Description    | Q'ty | Material  | Finish |

|  |   |                         |  |              |
|--|---|-------------------------|--|--------------|
| UNLESS OTHERWISE SPECIFIED<br>1.REMOVE ALL BURRS.<br>2.BREAK ALL CONNERS &<br>EDGES CO.15 MAX.<br>3.CHAMFER 1ST & LAST<br>THREADS 45°.<br>4.DIAMETERS ON COMMON<br>CENTERS.<br>TO BE CONCENTRIC<br>WITHIN 0.1 T.I.R.<br>5.ALL DIMENSIONS ARE<br>AFTER PLATING. | * MAJOR DIMENSION<br>UNLESS OTHERWISE<br>NOTED TOLERANCES<br>0.5-6=±0.2<br>6-30=±0.4<br>30-120=±0.6<br>120-315=±1.0<br>ANGLES=±1° | APPROVED<br><b>BB</b>   | <i>Bomar Interconnect Products, Inc.</i> |              |
|  | SCALE 3/1 UNIT MM   | CHECKED                 | TITLE<br><b>N FEMALE TO SMA MALE</b>     |              |
|  |   | DRAWN<br><b>RUSSELL</b> | DRAWING NO.<br>9311505                   | REV <b>A</b> |
|  |   | DRAWN DATE 10/08/01     | FILE NO.                                 |              |